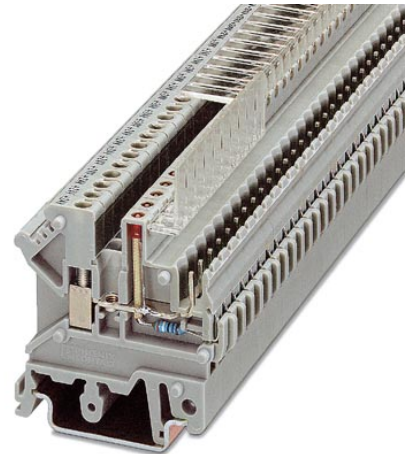


UK 3-MVSTB-5,08

Order No.: 3002076

The illustration shows the article UK 3-MVSTB-5,08-LA 24RD

<http://eshop.phoenixcontact.de/phoenix/treeViewClick.do?UID=3002076>Modular terminal blocks with plug entry, cross section: 0.2 - 2.5 mm²,
AWG: 26 - 12, width: 5.1 mm, color: gray

Commercial data

EAN	4017918090081
Pack	50 Pcs.
Customs tariff	85369010
Weight/Piece	0.007386 KG
Catalog page information	Page 323 (CL-2005)

Product notes

WEEE/RoHS-compliant since:
01/01/2003

<http://www.download.phoenixcontact.com>
Please note that the data given here has been taken from the online catalog. For comprehensive information and data, please refer to the user documentation. The General Terms and Conditions of Use apply to Internet downloads.

Technical data

General

Number of levels	1
Number of connections	2
Color	gray
Insulating material	PA

Inflammability class acc. to UL 94	V2
Technical data	
Maximum load current	12 A (with 4 mm ² conductor cross section)
Rated surge voltage	4 kV
Pollution degree	3
Surge voltage category	III
Insulating material group	I
Nominal current I _N	12 A
Nominal voltage U _N	250 V
Connection data	
Connection labeling	1st level connection left
Conductor cross section solid min.	0.2 mm ²
Conductor cross section solid max.	4 mm ²
Conductor cross section stranded min.	0.2 mm ²
Conductor cross section stranded max.	2.5 mm ²
Conductor cross section AWG/kcmil min.	24
Conductor cross section AWG/kcmil max	12
Conductor cross section stranded, with ferrule without plastic sleeve min.	0.25 mm ²
Conductor cross section stranded, with ferrule without plastic sleeve max.	2.5 mm ²
Conductor cross section stranded, with ferrule with plastic sleeve min.	0.25 mm ²
Conductor cross section stranded, with ferrule with plastic sleeve max.	1.5 mm ²
2 conductors with same cross section, solid min.	0.2 mm ²
2 conductors with same cross section, solid max.	1.5 mm ²
2 conductors with same cross section, stranded min.	0.2 mm ²
2 conductors with same cross section, stranded max.	1 mm ²
2 conductors with same cross section, stranded, ferrules without plastic sleeve, min.	0.25 mm ²
2 conductors with same cross section, stranded, ferrules without plastic sleeve, max.	0.5 mm ²
2 conductors with same cross section, stranded, TWIN ferrules with plastic sleeve, min.	0.5 mm ²

2 conductors with same cross section, stranded, TWIN ferrules with plastic sleeve, max.	1 mm ²
Type of connection	Special and hybrid connection
Stripping length	8 mm
Internal cylindrical gage	A3
Screw thread	M 3
Tightening torque, min	0.5 Nm
Tightening torque max	0.6 Nm

Certificates / Approvals

Approval logo



CUL

Nominal voltage U_N	300 V
Nominal current I_N	20 A
AWG/kcmil	30-12

UL

Nominal voltage U_N	300 V
Nominal current I_N	20 A
AWG/kcmil	30-12
Certification	CB, CUL, GOST, UL, VDE-PZI

Accessories

Item	Designation	Description
------	-------------	-------------

Assembly

3022218	CLIPFIX 35	Snap-on end bracket, for 35 mm NS 35/7.5 or NS 35/15 mounting rail, can be fitted with Zack strip ZB 8 and ZB 8/27, terminal strip marker KLM 2 and KLM, width: 9.5 mm, color: gray
3002089	D-UK 3-MVSTB	Cover, width: 2.5 mm, color: gray
3002445	DP-UK 3-MVSTB	Spacer plate, width: 2.4 mm, color: Gray
1201442	E/UK	End clamp, for supporting the electronic base. If mounted vertically, 2 end clamps are required in each case
1201028	NS 32 AL UNPERF 2000MM	G rail 32 mm (NS 32)

1201280	NS 32 CU/120QMM UNPERF 2000MM	G-profile DIN rail, deep-drawn, material: Copper, unperforated, height 15 mm, width 32 mm, length 2 m
1201358	NS 32 CU/35QMM UNPERF 2000MM	G-profile DIN rail, material: Copper, unperforated, height 15 mm, width 32 mm, length 2 m
1201002	NS 32 PERF 2000MM	G-profile DIN rail, material: Steel, perforated, height 15 mm, width 32 mm, length 2 m
1201015	NS 32 UNPERF 2000MM	G-profile DIN rail, material: Steel, unperforated, height 15 mm, width 32 mm, length 2 m
0801762	NS 35/ 7,5 CU UNPERF 2000MM	DIN rail, material: Copper, unperforated, height 7.5 mm, width 35 mm, length: 2 m
0801733	NS 35/ 7,5 PERF 2000MM	DIN rail, material: Steel, perforated, height 7.5 mm, width 35 mm, length: 2 m
0801681	NS 35/ 7,5 UNPERF 2000MM	DIN rail, material: Steel, unperforated, height 7.5 mm, width 35 mm, length: 2 m
1201756	NS 35/15 AL UNPERF 2000MM	DIN rail, deep-drawn, high profile, unperforated, 1.5 mm thick, material: Aluminum, height 15 mm, width 35 mm, length 2 m
1201895	NS 35/15 CU UNPERF 2000MM	DIN rail, material: Copper, unperforated, 1.5 mm thick, height 15 mm, width 35 mm, length: 2 m
1201730	NS 35/15 PERF 2000MM	DIN rail, material: Steel, perforated, height 15 mm, width 35 mm, length: 2 m
1201714	NS 35/15 UNPERF 2000MM	DIN rail, material: Steel, unperforated, height 15 mm, width 35 mm, length: 2 m
1201798	NS 35/15-2,3 UNPERF 2000MM	DIN rail, material: Steel, unperforated, 2.3 mm thick, height 15 mm, width 35 mm, length: 2 m
1705126	RS-KDS 2,5-LA	Common return busbar, brass, tin-plated, up to 10 A, length: 0.5 m
2770215	TS-KK 3	Separating plate, for electrical separation of neighboring bridges, can be fitted later, no loss of pitch, color: Gray

Bridges

2303145	EBL 2- 5	Insertion bridge, 2-pos., fully insulated
2303158	EBL 3- 5	Insertion bridge, 3-pos., fully insulated
2770642	FBRI 10-5 N	Fixed bridge, for cross connections in the terminal center, with fixed crimped rolls, screw heads with insulating collar as shock protection, 10-pos., divisible
3000434	FBRI 12-5 N	Fixed bridge, for cross connections in the terminal center, with fixed crimped rolls, screw heads with insulating collar as shock protection, 12-pos.
3000476	FBRI 16-5 N	Fixed bridge, for cross connections in the terminal center, with fixed crimped rolls, screw heads with insulating collar as shock protection, 16-pos.
3000515	FBRI 20-5 N	Fixed bridge, for cross connections in the terminal center, with fixed crimped rolls, screw heads with insulating collar as shock protection, 20-pos.

3006823	FBRI 40-5 N	Fixed bridge, for cross connections in the terminal center, with fixed crimped rolls, screw heads with insulating collar as shock protection, 40-pos.
---------	-------------	---

Marking

1007219	SBS 5:UNBEDRUCKT	Marker cards for modular terminal blocks, color: white
0809793	ZB 5,08:UNBEDRUCKT	Zack strip, unprinted: 10-section, for individual labeling with M-PEN, ZB-T or CMS system, sufficient for 100 terminal blocks per pack

Tools

1205053	SZS 0,6X3,5	Screwdriver, bladed, matches all screw terminal blocks up to 4.0 mm ² connection cross section, blade: 0.6 x 3.5 mm, without VDE approval
---------	-------------	--

Additional products

Item	Designation	Description
General		
1873058	FKC 2,5/ 2-ST-5,08	Plug component, nominal current: 12 A, rated voltage: 250 V, pitch: 5.08 mm, no. of positions: 2, type of connection: Spring-cage connection
1873207	FKC 2,5/ 2-STF-5,08	Plug with screw flange, nominal current: 12 A, rated voltage: 250 V, pitch: 5.08 mm, no. of positions: 2, type of connection: Spring-cage connection
1873061	FKC 2,5/ 3-ST-5,08	Plug component, nominal current: 12 A, rated voltage: 250 V, pitch: 5.08 mm, no. of positions: 3, type of connection: Spring-cage connection
1873210	FKC 2,5/ 3-STF-5,08	Plug with screw flange, nominal current: 12 A, rated voltage: 250 V, pitch: 5.08 mm, no. of positions: 3, type of connection: Spring-cage connection
1873223	FKC 2,5/ 4-STF-5,08	Plug with screw flange, nominal current: 12 A, rated voltage: 250 V, pitch: 5.08 mm, no. of positions: 4, type of connection: Spring-cage connection
1873236	FKC 2,5/ 5-STF-5,08	Plug with screw flange, nominal current: 12 A, rated voltage: 250 V, pitch: 5.08 mm, no. of positions: 5, type of connection: Spring-cage connection
1873090	FKC 2,5/ 6-ST-5,08	Plug component, nominal current: 12 A, rated voltage: 250 V, pitch: 5.08 mm, no. of positions: 6, type of connection: Spring-cage connection
1873249	FKC 2,5/ 6-STF-5,08	Plug with screw flange, nominal current: 12 A, rated voltage: 250 V, pitch: 5.08 mm, no. of positions: 6, type of connection: Spring-cage connection
1873252	FKC 2,5/ 7-STF-5,08	Plug with screw flange, nominal current: 12 A, rated voltage: 250 V, pitch: 5.08 mm, no. of positions: 7, type of connection: Spring-cage connection

1873113	FKC 2,5/ 8-ST-5,08	Plug component, nominal current: 12 A, rated voltage: 250 V, pitch: 5.08 mm, no. of positions: 8, type of connection: Spring-cage connection
1873265	FKC 2,5/ 8-STF-5,08	Plug with screw flange, nominal current: 12 A, rated voltage: 250 V, pitch: 5.08 mm, no. of positions: 8, type of connection: Spring-cage connection
1873126	FKC 2,5/ 9-ST-5,08	Plug component, nominal current: 12 A, rated voltage: 250 V, pitch: 5.08 mm, no. of positions: 9, type of connection: Spring-cage connection
1873278	FKC 2,5/ 9-STF-5,08	Plug with screw flange, nominal current: 12 A, rated voltage: 250 V, pitch: 5.08 mm, no. of positions: 9, type of connection: Spring-cage connection
1873281	FKC 2,5/10-STF-5,08	Plug with screw flange, nominal current: 12 A, rated voltage: 250 V, pitch: 5.08 mm, no. of positions: 10, type of connection: Spring-cage connection
1873142	FKC 2,5/11-ST-5,08	Plug component, nominal current: 12 A, rated voltage: 250 V, pitch: 5.08 mm, no. of positions: 11, type of connection: Spring-cage connection
1873294	FKC 2,5/11-STF-5,08	Plug with screw flange, nominal current: 12 A, rated voltage: 250 V, pitch: 5.08 mm, no. of positions: 11, type of connection: Spring-cage connection
1873304	FKC 2,5/12-STF-5,08	Plug with screw flange, nominal current: 12 A, rated voltage: 250 V, pitch: 5.08 mm, no. of positions: 12, type of connection: Spring-cage connection
1873317	FKC 2,5/13-STF-5,08	Plug with screw flange, nominal current: 12 A, rated voltage: 250 V, pitch: 5.08 mm, no. of positions: 13, type of connection: Spring-cage connection
1873171	FKC 2,5/14-ST-5,08	Plug component, nominal current: 12 A, rated voltage: 250 V, pitch: 5.08 mm, no. of positions: 14, type of connection: Spring-cage connection
1873320	FKC 2,5/14-STF-5,08	Plug with screw flange, nominal current: 12 A, rated voltage: 250 V, pitch: 5.08 mm, no. of positions: 14, type of connection: Spring-cage connection
1873333	FKC 2,5/15-STF-5,08	Plug with screw flange, nominal current: 12 A, rated voltage: 250 V, pitch: 5.08 mm, no. of positions: 15, type of connection: Spring-cage connection
1873346	FKC 2,5/16-STF-5,08	Plug with screw flange, nominal current: 12 A, rated voltage: 250 V, pitch: 5.08 mm, no. of positions: 16, type of connection: Spring-cage connection
1874109	FKCVR 2,5/ 2-STF-5,08	Plug component, nominal current: 12 A, rated voltage: 250 V, pitch: 5.08 mm, no. of positions: 2, type of connection: Spring-cage connection
1874112	FKCVR 2,5/ 3-STF-5,08	Plug component, nominal current: 12 A, rated voltage: 250 V, pitch: 5.08 mm, no. of positions: 3, type of connection: Spring-cage connection
1874125	FKCVR 2,5/ 4-STF-5,08	Plug component, nominal current: 12 A, rated voltage: 250 V, pitch: 5.08 mm, no. of positions: 4, type of connection: Spring-cage connection

1874138	FKCVR 2,5/ 5-STF-5,08	Plug component, nominal current: 12 A, rated voltage: 250 V, pitch: 5.08 mm, no. of positions: 5, type of connection: Spring-cage connection
1873993	FKCVR 2,5/ 6-ST-5,08	Plug component, nominal current: 12 A, rated voltage: 250 V, pitch: 5.08 mm, no. of positions: 6, type of connection: Spring-cage connection
1874141	FKCVR 2,5/ 6-STF-5,08	Plug component, nominal current: 12 A, rated voltage: 250 V, pitch: 5.08 mm, no. of positions: 6, type of connection: Spring-cage connection
1874002	FKCVR 2,5/ 7-ST-5,08	Plug component, nominal current: 12 A, rated voltage: 250 V, pitch: 5.08 mm, no. of positions: 7, type of connection: Spring-cage connection
1874154	FKCVR 2,5/ 7-STF-5,08	Plug component, nominal current: 12 A, rated voltage: 250 V, pitch: 5.08 mm, no. of positions: 7, type of connection: Spring-cage connection
1874167	FKCVR 2,5/ 8-STF-5,08	Plug component, nominal current: 12 A, rated voltage: 250 V, pitch: 5.08 mm, no. of positions: 8, type of connection: Spring-cage connection
1874170	FKCVR 2,5/ 9-STF-5,08	Plug component, nominal current: 12 A, rated voltage: 250 V, pitch: 5.08 mm, no. of positions: 9, type of connection: Spring-cage connection
1874183	FKCVR 2,5/10-STF-5,08	Plug component, nominal current: 12 A, rated voltage: 250 V, pitch: 5.08 mm, no. of positions: 10, type of connection: Spring-cage connection
1874196	FKCVR 2,5/11-STF-5,08	Plug component, nominal current: 12 A, rated voltage: 250 V, pitch: 5.08 mm, no. of positions: 11, type of connection: Spring-cage connection
1874206	FKCVR 2,5/12-STF-5,08	Plug component, nominal current: 12 A, rated voltage: 250 V, pitch: 5.08 mm, no. of positions: 12, type of connection: Spring-cage connection
1874219	FKCVR 2,5/13-STF-5,08	Plug component, nominal current: 12 A, rated voltage: 250 V, pitch: 5.08 mm, no. of positions: 13, type of connection: Spring-cage connection
1874222	FKCVR 2,5/14-STF-5,08	Plug component, nominal current: 12 A, rated voltage: 250 V, pitch: 5.08 mm, no. of positions: 14, type of connection: Spring-cage connection
1874086	FKCVR 2,5/15-ST-5,08	Plug component, nominal current: 12 A, rated voltage: 250 V, pitch: 5.08 mm, no. of positions: 15, type of connection: Spring-cage connection
1874235	FKCVR 2,5/15-STF-5,08	Plug component, nominal current: 12 A, rated voltage: 250 V, pitch: 5.08 mm, no. of positions: 15, type of connection: Spring-cage connection
1874248	FKCVR 2,5/16-STF-5,08	Plug component, nominal current: 12 A, rated voltage: 250 V, pitch: 5.08 mm, no. of positions: 16, type of connection: Spring-cage connection
1777808	FRONT-MSTB 2,5/ 2-STF-5,08	Plug with screw flange, nominal current: 12 A, rated voltage: 250 V, pitch: 5,08 mm, no. of positions: 2, type of connection: Screw connection

1777316	FRONT-MSTB 2,5/ 5-ST-5,08	Plug, nominal current: 12 A, rated voltage: 250 V, pitch: 5,08 mm, no. of positions: 5, type of connection: Screw connection
1777345	FRONT-MSTB 2,5/ 8-ST-5,08	Plug component, nominal current: 12 A, rated voltage: 250 V, pitch: 5.08 mm, no. of positions: 8, type of connection: Screw connection
1777882	FRONT-MSTB 2,5/11-STF-5,08	Plug with screw flange, nominal current: 12 A, rated voltage: 250 V, pitch: 5.08 mm, number of positions: 11, connection method: screw connection
1777947	FRONT-MSTB 2,5/17-STF-5,08	Plug with screw flange, nominal current: 12 A, rated voltage: 250 V, pitch: 5.08 mm, number of positions: 17, connection method: screw connection
1777455	FRONT-MSTB 2,5/19-ST-5,08	Plug component, nominal current: 12 A, rated voltage: 250 V, pitch: 5.08 mm, no. of positions: 19, type of connection: Screw connection
1777976	FRONT-MSTB 2,5/20-STF-5,08	Plug with screw flange, nominal current: 12 A, rated voltage: 250 V, pitch: 5.08 mm, number of positions: 20, connection method: screw connection
1777484	FRONT-MSTB 2,5/22-ST-5,08	Plug component, nominal current: 12 A, rated voltage: 250 V, pitch: 5.08 mm, no. of positions: 22, type of connection: Screw connection
1777497	FRONT-MSTB 2,5/23-ST-5,08	Plug component, nominal current: 12 A, rated voltage: 250 V, pitch: 5.08 mm, no. of positions: 23, type of connection: Screw connection
1757019	MSTB 2,5/ 2-ST-5,08	Plug component, nominal current: 12 A, rated voltage: 250 V, pitch: 5.08 mm, no. of positions: 2, type of connection: Screw connection
1777989	MSTB 2,5/ 2-STF-5,08	Plug with screw flange, nominal current: 12 A, rated voltage: 250 V, pitch: 5,08 mm, no. of positions: 2, type of connection: Screw connection
1757022	MSTB 2,5/ 3-ST-5,08	Plug component, nominal current: 12 A, rated voltage: 250 V, pitch: 5.08 mm, no. of positions: 3, type of connection: Screw connection
1777992	MSTB 2,5/ 3-STF-5,08	Plug component, nominal current: 12 A, rated voltage: 250 V, pitch: 5.08 mm, no. of positions: 3, type of connection: Screw connection
1757035	MSTB 2,5/ 4-ST-5,08	Plug component, nominal current: 12 A, rated voltage: 250 V, pitch: 5.08 mm, no. of positions: 4, type of connection: Screw connection
1778001	MSTB 2,5/ 4-STF-5,08	Plug component, nominal current: 12 A, rated voltage: 250 V, pitch: 5.08 mm, no. of positions: 4, type of connection: Screw connection
1778014	MSTB 2,5/ 5-STF-5,08	Plug with T-shape and screw flange, nominal current: 12 A, rated voltage: 250 V, pitch: 5.08 mm, no. of positions: 5, type of connection: screw connection
1776142	MSTB 2,5/ 5-STZ-5,08	Plug, nominal current: 12 A, rated voltage: 250 V, pitch: 5,08 mm, no. of positions: 5, type of connection: Screw connection

1778027	MSTB 2,5/ 6-STF-5,08	Plug component, nominal current: 12 A, rated voltage: 250 V, pitch: 5.08 mm, no. of positions: 6, type of connection: Screw connection
1776126	MSTB 2,5/ 6-STZ-5,08	Plug component, nominal current: 12 A, rated voltage: 250 V, pitch: 5.08 mm, no. of positions: 6, type of connection: Screw connection
1778030	MSTB 2,5/ 7-STF-5,08	Plug component, nominal current: 12 A, rated voltage: 250 V, pitch: 5.08 mm, no. of positions: 7, type of connection: Screw connection
1757077	MSTB 2,5/ 8-ST-5,08	Plug component, nominal current: 12 A, rated voltage: 250 V, pitch: 5.08 mm, no. of positions: 8, type of connection: Screw connection
1778043	MSTB 2,5/ 8-STF-5,08	Plug component, nominal current: 12 A, rated voltage: 250 V, pitch: 5.08 mm, no. of positions: 8, type of connection: Screw connection
1778056	MSTB 2,5/ 9-STF-5,08	Plug component, nominal current: 12 A, rated voltage: 250 V, pitch: 5.08 mm, no. of positions: 9, type of connection: Screw connection
1778069	MSTB 2,5/10-STF-5,08	Plug component, nominal current: 12 A, rated voltage: 250 V, pitch: 5.08 mm, no. of positions: 10, type of connection: Screw connection
1778072	MSTB 2,5/11-STF-5,08	Plug component, nominal current: 12 A, rated voltage: 250 V, pitch: 5.08 mm, no. of positions: 11, type of connection: Screw connection
1778085	MSTB 2,5/12-STF-5,08	Plug component, nominal current: 12 A, rated voltage: 250 V, pitch: 5.08 mm, no. of positions: 12, type of connection: Screw connection
1778098	MSTB 2,5/13-STF-5,08	Plug component, nominal current: 12 A, rated voltage: 250 V, pitch: 5.08 mm, no. of positions: 13, type of connection: Screw connection
1778108	MSTB 2,5/14-STF-5,08	Plug component, nominal current: 12 A, rated voltage: 250 V, pitch: 5.08 mm, no. of positions: 14, type of connection: Screw connection
1764264	MSTB 2,5/14-STZ-5,08	Plug component, nominal current: 12 A, rated voltage: 250 V, pitch: 5.08 mm, no. of positions: 14, type of connection: Screw connection
1778111	MSTB 2,5/15-STF-5,08	Plug component, nominal current: 12 A, rated voltage: 250 V, pitch: 5.08 mm, no. of positions: 15, type of connection: Screw connection
1764251	MSTB 2,5/15-STZ-5,08	Plug component, nominal current: 12 A, rated voltage: 250 V, pitch: 5.08 mm, no. of positions: 15, type of connection: Screw connection
1757158	MSTB 2,5/16-ST-5,08	Plug component, nominal current: 12 A, rated voltage: 250 V, pitch: 5.08 mm, no. of positions: 16, type of connection: Screw connection
1778124	MSTB 2,5/16-STF-5,08	Plug component, nominal current: 12 A, rated voltage: 250 V, pitch: 5.08 mm, no. of positions: 16, type of connection: Screw connection

1778137	MSTB 2,5/17-STF-5,08	Plug component, nominal current: 12 A, rated voltage: 250 V, pitch: 5.08 mm, no. of positions: 17, type of connection: Screw connection
1778140	MSTB 2,5/18-STF-5,08	Plug component, nominal current: 12 A, rated voltage: 250 V, pitch: 5.08 mm, no. of positions: 18, type of connection: Screw connection
1778153	MSTB 2,5/19-STF-5,08	Plug component, nominal current: 12 A, rated voltage: 250 V, pitch: 5.08 mm, no. of positions: 19, type of connection: Screw connection
1778166	MSTB 2,5/20-STF-5,08	Plug component, nominal current: 12 A, rated voltage: 250 V, pitch: 5.08 mm, no. of positions: 20, type of connection: Screw connection
1757213	MSTB 2,5/22-ST-5,08	Plug component, nominal current: 12 A, rated voltage: 250 V, pitch: 5.08 mm, no. of positions: 22, type of connection: Screw connection
1757226	MSTB 2,5/23-ST-5,08	Plug component, nominal current: 12 A, rated voltage: 250 V, pitch: 5.08 mm, no. of positions: 23, type of connection: Screw connection
1809734	MSTBC 2,5/ 2-STZF-5,08	Plug component, nominal current: 12 A, rated voltage: 320 V, pitch: 5.08 mm, no. of positions: 2, type of connection: Crimp connection
1808829	MSTBC 2,5/ 3-ST-5,08	Plug component, nominal current: 12 A, rated voltage: 320 V, pitch: 5.08 mm, no. of positions: 3, type of connection: Crimp connection
1809514	MSTBC 2,5/ 3-STZ-5,08	Plug component, nominal current: 12 A, rated voltage: 320 V, pitch: 5.08 mm, no. of positions: 3, type of connection: Crimp connection
1809747	MSTBC 2,5/ 3-STZF-5,08	Plug component, nominal current: 12 A, rated voltage: 320 V, pitch: 5.08 mm, no. of positions: 3, type of connection: Crimp connection
1809527	MSTBC 2,5/ 4-STZ-5,08	Plug component, nominal current: 12 A, rated voltage: 320 V, pitch: 5.08 mm, no. of positions: 4, type of connection: Crimp connection
1809750	MSTBC 2,5/ 4-STZF-5,08	Plug component, nominal current: 12 A, rated voltage: 320 V, pitch: 5.08 mm, no. of positions: 4, type of connection: Crimp connection
1809530	MSTBC 2,5/ 5-STZ-5,08	Plug component, nominal current: 12 A, rated voltage: 320 V, pitch: 5.08 mm, no. of positions: 5, type of connection: Crimp connection
1809763	MSTBC 2,5/ 5-STZF-5,08	Plug component, nominal current: 12 A, rated voltage: 320 V, pitch: 5.08 mm, no. of positions: 5, type of connection: Crimp connection
1808858	MSTBC 2,5/ 6-ST-5,08	Plug component, nominal current: 12 A, rated voltage: 320 V, pitch: 5.08 mm, no. of positions: 6, type of connection: Crimp connection
1809776	MSTBC 2,5/ 6-STZF-5,08	Plug component, nominal current: 12 A, rated voltage: 320 V, pitch: 5.08 mm, no. of positions: 6, type of connection: Crimp connection

1809556	MSTBC 2,5/ 7-STZ-5,08	Plug component, nominal current: 12 A, rated voltage: 320 V, pitch: 5.08 mm, no. of positions: 7, type of connection: Crimp connection
1809789	MSTBC 2,5/ 7-STZF-5,08	Plug component, nominal current: 12 A, rated voltage: 320 V, pitch: 5.08 mm, no. of positions: 7, type of connection: Crimp connection
1809569	MSTBC 2,5/ 8-STZ-5,08	Plug component, nominal current: 12 A, rated voltage: 320 V, pitch: 5.08 mm, no. of positions: 8, type of connection: Crimp connection
1809792	MSTBC 2,5/ 8-STZF-5,08	Plug component, nominal current: 12 A, rated voltage: 320 V, pitch: 5.08 mm, no. of positions: 8, type of connection: Crimp connection
1809802	MSTBC 2,5/ 9-STZF-5,08	Plug component, nominal current: 12 A, rated voltage: 320 V, pitch: 5.08 mm, no. of positions: 9, type of connection: Crimp connection
1808890	MSTBC 2,5/10-ST-5,08	Plug component, nominal current: 12 A, rated voltage: 320 V, pitch: 5.08 mm, no. of positions: 10, type of connection: Crimp connection
1809585	MSTBC 2,5/10-STZ-5,08	Plug component, nominal current: 12 A, rated voltage: 320 V, pitch: 5.08 mm, no. of positions: 10, type of connection: Crimp connection
1809815	MSTBC 2,5/10-STZF-5,08	Plug component, nominal current: 12 A, rated voltage: 320 V, pitch: 5.08 mm, no. of positions: 10, type of connection: Crimp connection
1809598	MSTBC 2,5/11-STZ-5,08	Plug component, nominal current: 12 A, rated voltage: 320 V, pitch: 5.08 mm, no. of positions: 11, type of connection: Crimp connection
1809828	MSTBC 2,5/11-STZF-5,08	Plug component, nominal current: 12 A, rated voltage: 320 V, pitch: 5.08 mm, no. of positions: 11, type of connection: Crimp connection
1809608	MSTBC 2,5/12-STZ-5,08	Plug component, nominal current: 12 A, rated voltage: 320 V, pitch: 5.08 mm, no. of positions: 12, type of connection: Crimp connection
1809831	MSTBC 2,5/12-STZF-5,08	Plug component, nominal current: 12 A, rated voltage: 320 V, pitch: 5.08 mm, no. of positions: 12, type of connection: Crimp connection
1809844	MSTBC 2,5/13-STZF-5,08	Plug component, nominal current: 12 A, rated voltage: 320 V, pitch: 5.08 mm, no. of positions: 13, type of connection: Crimp connection
1809624	MSTBC 2,5/14-STZ-5,08	Plug component, nominal current: 12 A, rated voltage: 320 V, pitch: 5.08 mm, no. of positions: 14, type of connection: Crimp connection
1809857	MSTBC 2,5/14-STZF-5,08	Plug component, nominal current: 12 A, rated voltage: 320 V, pitch: 5.08 mm, no. of positions: 14, type of connection: Crimp connection
1809860	MSTBC 2,5/15-STZF-5,08	Plug component, nominal current: 12 A, rated voltage: 320 V, pitch: 5.08 mm, no. of positions: 15, type of connection: Crimp connection

1809640	MSTBC 2,5/16-STZ-5,08	Plug component, nominal current: 12 A, rated voltage: 320 V, pitch: 5.08 mm, no. of positions: 16, type of connection: Crimp connection
1809873	MSTBC 2,5/16-STZF-5,08	Plug component, nominal current: 12 A, rated voltage: 320 V, pitch: 5.08 mm, no. of positions: 16, type of connection: Crimp connection
1808968	MSTBC 2,5/17-ST-5,08	Plug component, nominal current: 12 A, rated voltage: 320 V, pitch: 5.08 mm, no. of positions: 17, type of connection: Crimp connection
1809653	MSTBC 2,5/17-STZ-5,08	Plug component, nominal current: 12 A, rated voltage: 320 V, pitch: 5.08 mm, no. of positions: 17, type of connection: Crimp connection
1809886	MSTBC 2,5/17-STZF-5,08	Plug component, nominal current: 12 A, rated voltage: 320 V, pitch: 5.08 mm, no. of positions: 17, type of connection: Crimp connection
1809666	MSTBC 2,5/18-STZ-5,08	Plug component, nominal current: 12 A, rated voltage: 320 V, pitch: 5.08 mm, no. of positions: 18, type of connection: Crimp connection
1809899	MSTBC 2,5/18-STZF-5,08	Plug component, nominal current: 12 A, rated voltage: 320 V, pitch: 5.08 mm, no. of positions: 18, type of connection: Crimp connection
1808984	MSTBC 2,5/19-ST-5,08	Plug component, nominal current: 12 A, rated voltage: 320 V, pitch: 5.08 mm, no. of positions: 19, type of connection: Crimp connection
1809909	MSTBC 2,5/19-STZF-5,08	Plug component, nominal current: 12 A, rated voltage: 320 V, pitch: 5.08 mm, no. of positions: 19, type of connection: Crimp connection
1809912	MSTBC 2,5/20-STZF-5,08	Plug component, nominal current: 12 A, rated voltage: 320 V, pitch: 5.08 mm, no. of positions: 20, type of connection: Crimp connection
1809925	MSTBC 2,5/21-STZF-5,08	Plug component, nominal current: 12 A, rated voltage: 320 V, pitch: 5.08 mm, no. of positions: 21, type of connection: Crimp connection
1809938	MSTBC 2,5/22-STZF-5,08	Plug component, nominal current: 12 A, rated voltage: 320 V, pitch: 5.08 mm, no. of positions: 22, type of connection: Crimp connection
1809718	MSTBC 2,5/23-STZ-5,08	Plug component, nominal current: 12 A, rated voltage: 320 V, pitch: 5.08 mm, no. of positions: 23, type of connection: Crimp connection
1809941	MSTBC 2,5/23-STZF-5,08	Plug component, nominal current: 12 A, rated voltage: 320 V, pitch: 5.08 mm, no. of positions: 23, type of connection: Crimp connection
1809954	MSTBC 2,5/24-STZF-5,08	Plug component, nominal current: 12 A, rated voltage: 320 V, pitch: 5.08 mm, no. of positions: 24, type of connection: Crimp connection
1769023	MSTBP 2,5/ 3-ST-5,08	Plug component, nominal current: 12 A, rated voltage: 250 V, pitch: 5.08 mm, no. of positions: 3, type of connection: Screw connection

1769049	MSTBP 2,5/ 5-ST-5,08	Plug, nominal current: 12 A, rated voltage: 250 V, pitch: 5,08 mm, no. of positions: 5, type of connection: Screw connection
1769052	MSTBP 2,5/ 6-ST-5,08	Plug component, nominal current: 12 A, rated voltage: 250 V, pitch: 5.08 mm, no. of positions: 6, type of connection: Screw connection
1769081	MSTBP 2,5/ 9-ST-5,08	Plug component, nominal current: 12 A, rated voltage: 250 V, pitch: 5.08 mm, no. of positions: 9, type of connection: Screw connection
1769117	MSTBP 2,5/12-ST-5,08	Plug component, nominal current: 12 A, rated voltage: 250 V, pitch: 5.08 mm, no. of positions: 12, type of connection: Screw connection
1792249	MVSTBR 2,5/ 2-ST-5,08	Plug component, nominal current: 12 A, rated voltage: 250 V, pitch: 5.08 mm, no. of positions: 2, type of connection: Screw connection
1835096	MVSTBR 2,5/ 2-STF-5,08	Plug with screw flange, nominal current: 12 A, rated voltage: 250 V, pitch: 5,08 mm, no. of positions: 2, type of connection: Screw connection
1792252	MVSTBR 2,5/ 3-ST-5,08	Plug component, nominal current: 12 A, rated voltage: 250 V, pitch: 5.08 mm, no. of positions: 3, type of connection: Screw connection
1835106	MVSTBR 2,5/ 3-STF-5,08	Plug with screw flange, nominal current: 12 A, rated voltage: 250 V, pitch: 5,08 mm, no. of positions: 3, type of connection: Screw connection
1835119	MVSTBR 2,5/ 4-STF-5,08	Plug with screw flange, nominal current: 12 A, rated voltage: 250 V, pitch: 5,08 mm, no. of positions: 4, type of connection: Screw connection
1835122	MVSTBR 2,5/ 5-STF-5,08	Plug with screw flange, nominal current: 12 A, rated voltage: 250 V, pitch: 5,08 mm, no. of positions: 5, type of connection: Screw connection
1792281	MVSTBR 2,5/ 6-ST-5,08	Plug component, nominal current: 12 A, rated voltage: 250 V, pitch: 5.08 mm, no. of positions: 6, type of connection: Screw connection
1835135	MVSTBR 2,5/ 6-STF-5,08	Plug with screw flange, nominal current: 12 A, rated voltage: 250 V, pitch: 5,08 mm, no. of positions: 6, type of connection: Screw connection
1835148	MVSTBR 2,5/ 7-STF-5,08	Plug with screw flange, nominal current: 12 A, rated voltage: 250 V, pitch: 5,08 mm, no. of positions: 7, type of connection: Screw connection
1792304	MVSTBR 2,5/ 8-ST-5,08	Plug component, nominal current: 12 A, rated voltage: 250 V, pitch: 5.08 mm, no. of positions: 8, type of connection: Screw connection
1835151	MVSTBR 2,5/ 8-STF-5,08	Plug with screw flange, nominal current: 12 A, rated voltage: 250 V, pitch: 5,08 mm, no. of positions: 8, type of connection: Screw connection
1835164	MVSTBR 2,5/ 9-STF-5,08	Plug with screw flange, nominal current: 12 A, rated voltage: 250 V, pitch: 5,08 mm, no. of positions: 9, type of connection: Screw connection

1835177	MVSTBR 2,5/10-STF-5,08	Plug component, nominal current: 12 A, rated voltage: 250 V, pitch: 5.08 mm, no. of positions: 10, type of connection: Screw connection
1792333	MVSTBR 2,5/11-ST-5,08	Plug component, nominal current: 12 A, rated voltage: 250 V, pitch: 5.08 mm, no. of positions: 11, type of connection: Screw connection
1835180	MVSTBR 2,5/11-STF-5,08	Plug component, nominal current: 12 A, rated voltage: 250 V, pitch: 5.08 mm, no. of positions: 11, type of connection: Screw connection
1835193	MVSTBR 2,5/12-STF-5,08	Plug with screw flange, nominal current: 12 A, rated voltage: 250 V, pitch: 5,08 mm, no. of positions: 12, type of connection: Screw connection
1792359	MVSTBR 2,5/13-ST-5,08	Plug component, nominal current: 12 A, rated voltage: 250 V, pitch: 5.08 mm, no. of positions: 13, type of connection: Screw connection
1835203	MVSTBR 2,5/13-STF-5,08	Plug component, nominal current: 12 A, rated voltage: 250 V, pitch: 5.08 mm, no. of positions: 13, type of connection: Screw connection
1835216	MVSTBR 2,5/14-STF-5,08	Plug component, nominal current: 12 A, rated voltage: 250 V, pitch: 5.08 mm, no. of positions: 14, type of connection: Screw connection
1835229	MVSTBR 2,5/15-STF-5,08	Plug component, nominal current: 12 A, rated voltage: 250 V, pitch: 5.08 mm, no. of positions: 15, type of connection: Screw connection
1835232	MVSTBR 2,5/16-STF-5,08	Plug component, nominal current: 12 A, rated voltage: 250 V, pitch: 5.08 mm, no. of positions: 16, type of connection: Screw connection
1835245	MVSTBR 2,5/17-STF-5,08	Plug component, nominal current: 12 A, rated voltage: 250 V, pitch: 5.08 mm, no. of positions: 17, type of connection: Screw connection
1835258	MVSTBR 2,5/18-STF-5,08	Plug component, nominal current: 12 A, rated voltage: 250 V, pitch: 5.08 mm, no. of positions: 18, type of connection: Screw connection
1835261	MVSTBR 2,5/19-STF-5,08	Plug component, nominal current: 12 A, rated voltage: 250 V, pitch: 5.08 mm, no. of positions: 19, type of connection: Screw connection
1792427	MVSTBR 2,5/20-ST-5,08	Plug component, nominal current: 12 A, rated voltage: 250 V, pitch: 5.08 mm, no. of positions: 20, type of connection: Screw connection
1835274	MVSTBR 2,5/20-STF-5,08	Plug component, nominal current: 12 A, rated voltage: 250 V, pitch: 5.08 mm, no. of positions: 20, type of connection: Screw connection
1792430	MVSTBR 2,5/21-ST-5,08	Plug component, nominal current: 12 A, rated voltage: 250 V, pitch: 5.08 mm, no. of positions: 21, type of connection: Screw connection
1792469	MVSTBR 2,5/24-ST-5,08	Plug component, nominal current: 12 A, rated voltage: 250 V, pitch: 5.08 mm, no. of positions: 24, type of connection: Screw connection

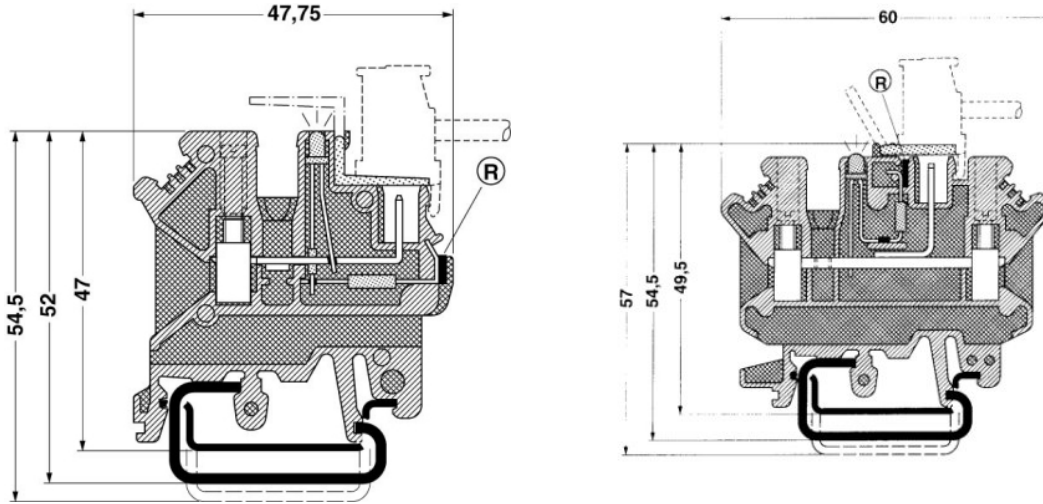
1834903	MVSTBW 2,5/ 2-STF-5,08	Plug component, nominal current: 12 A, rated voltage: 250 V, pitch: 5.08 mm, no. of positions: 2, type of connection: Screw connection
1834916	MVSTBW 2,5/ 3-STF-5,08	Plug component, nominal current: 12 A, rated voltage: 250 V, pitch: 5.08 mm, no. of positions: 3, type of connection: Screw connection
1834929	MVSTBW 2,5/ 4-STF-5,08	Plug component, nominal current: 12 A, rated voltage: 250 V, pitch: 5.08 mm, no. of positions: 4, type of connection: Screw connection
1834932	MVSTBW 2,5/ 5-STF-5,08	Plug with screw flange, nominal current: 12 A, rated voltage: 250 V, pitch: 5,08 mm, no. of positions: 5, type of connection: Screw connection
1834945	MVSTBW 2,5/ 6-STF-5,08	Plug component, nominal current: 12 A, rated voltage: 250 V, pitch: 5.08 mm, no. of positions: 6, type of connection: Screw connection
1792809	MVSTBW 2,5/ 7-ST-5,08	Plug component, nominal current: 12 A, rated voltage: 250 V, pitch: 5.08 mm, no. of positions: 7, type of connection: Screw connection
1834958	MVSTBW 2,5/ 7-STF-5,08	Plug component, nominal current: 12 A, rated voltage: 250 V, pitch: 5.08 mm, no. of positions: 7, type of connection: Screw connection
1834961	MVSTBW 2,5/ 8-STF-5,08	Plug component, nominal current: 12 A, rated voltage: 250 V, pitch: 5.08 mm, no. of positions: 8, type of connection: Screw connection
1834974	MVSTBW 2,5/ 9-STF-5,08	Plug component, nominal current: 12 A, rated voltage: 250 V, pitch: 5.08 mm, no. of positions: 9, type of connection: Screw connection
1834987	MVSTBW 2,5/10-STF-5,08	Plug component, nominal current: 12 A, rated voltage: 250 V, pitch: 5.08 mm, no. of positions: 10, type of connection: Screw connection
1834990	MVSTBW 2,5/11-STF-5,08	Plug component, nominal current: 12 A, rated voltage: 250 V, pitch: 5.08 mm, no. of positions: 11, type of connection: Screw connection
1792854	MVSTBW 2,5/12-ST-5,08	Plug component, nominal current: 12 A, rated voltage: 250 V, pitch: 5.08 mm, no. of positions: 12, type of connection: Screw connection
1835009	MVSTBW 2,5/12-STF-5,08	Plug component, nominal current: 12 A, rated voltage: 250 V, pitch: 5.08 mm, no. of positions: 12, type of connection: Screw connection
1835012	MVSTBW 2,5/13-STF-5,08	Plug component, nominal current: 12 A, rated voltage: 250 V, pitch: 5.08 mm, no. of positions: 13, type of connection: Screw connection
1835025	MVSTBW 2,5/14-STF-5,08	Plug component, nominal current: 12 A, rated voltage: 250 V, pitch: 5.08 mm, no. of positions: 14, type of connection: Screw connection
1835038	MVSTBW 2,5/15-STF-5,08	Plug component, nominal current: 12 A, rated voltage: 250 V, pitch: 5.08 mm, no. of positions: 15, type of connection: Screw connection

1792896	MVSTBW 2,5/16-ST-5,08	Plug component, nominal current: 12 A, rated voltage: 250 V, pitch: 5.08 mm, no. of positions: 16, type of connection: Screw connection
1835041	MVSTBW 2,5/16-STF-5,08	Plug component, nominal current: 12 A, rated voltage: 250 V, pitch: 5.08 mm, no. of positions: 16, type of connection: Screw connection
1835054	MVSTBW 2,5/17-STF-5,08	Plug component, nominal current: 12 A, rated voltage: 250 V, pitch: 5.08 mm, no. of positions: 17, type of connection: Screw connection
1835067	MVSTBW 2,5/18-STF-5,08	Plug component, nominal current: 12 A, rated voltage: 250 V, pitch: 5.08 mm, no. of positions: 18, type of connection: Screw connection
1835070	MVSTBW 2,5/19-STF-5,08	Plug component, nominal current: 12 A, rated voltage: 250 V, pitch: 5.08 mm, no. of positions: 19, type of connection: Screw connection
1835083	MVSTBW 2,5/20-STF-5,08	Plug component, nominal current: 12 A, rated voltage: 250 V, pitch: 5.08 mm, no. of positions: 20, type of connection: Screw connection
1792948	MVSTBW 2,5/21-ST-5,08	Plug component, nominal current: 12 A, rated voltage: 250 V, pitch: 5.08 mm, no. of positions: 21, type of connection: Screw connection
1792964	MVSTBW 2,5/23-ST-5,08	Plug component, nominal current: 12 A, rated voltage: 250 V, pitch: 5.08 mm, no. of positions: 23, type of connection: Screw connection
1883352	QC 1/ 2-STF-5,08	Plug, nominal current: 10 A, rated voltage: 500 V, pitch: 5.08 mm, number of positions: 2, connection method: Insulation displacement connection QUICKON
1883365	QC 1/ 3-STF-5,08	Plug, nominal current: 10 A, rated voltage: 500 V, pitch: 5.08 mm, number of positions: 3, connection method: Insulation displacement connection QUICKON
1883378	QC 1/ 4-STF-5,08	Plug, nominal current: 10 A, rated voltage: 500 V, pitch: 5.08 mm, number of positions: 4, connection method: Insulation displacement connection QUICKON
1883381	QC 1/ 5-STF-5,08	Plug, nominal current: 10 A, rated voltage: 500 V, pitch: 5.08 mm, number of positions: 5, connection method: Insulation displacement connection QUICKON
1883297	QC 1/ 6-ST-5,08	Plug, nominal current: 10 A, rated voltage: 500 V, pitch: 5.08 mm, number of positions: 6, connection method: Insulation displacement connection QUICKON
1883394	QC 1/ 6-STF-5,08	Plug, nominal current: 10 A, rated voltage: 500 V, pitch: 5.08 mm, number of positions: 6, connection method: Insulation displacement connection QUICKON
1883404	QC 1/ 7-STF-5,08	Plug, nominal current: 10 A, rated voltage: 500 V, pitch: 5.08 mm, number of positions: 7, connection method: Insulation displacement connection QUICKON
1883417	QC 1/ 8-STF-5,08	Plug, nominal current: 10 A, rated voltage: 500 V, pitch: 5.08 mm, number of positions: 8, connection method: Insulation displacement connection QUICKON

1883420	QC 1/ 9-STF-5,08	Plug, nominal current: 10 A, rated voltage: 500 V, pitch: 5.08 mm, number of positions: 9, connection method: Insulation displacement connection QUICKON
1883433	QC 1/10-STF-5,08	Plug, nominal current: 10 A, rated voltage: 500 V, pitch: 5.08 mm, number of positions: 10, connection method: Insulation displacement connection QUICKON
1883349	QC 1/11-ST-5,08	Plug, nominal current: 10 A, rated voltage: 500 V, pitch: 5.08 mm, number of positions: 11, connection method: Insulation displacement connection QUICKON
1883446	QC 1/11-STF-5,08	Plug, nominal current: 10 A, rated voltage: 500 V, pitch: 5.08 mm, number of positions: 11, connection method: Insulation displacement connection QUICKON
1883459	QC 1/12-STF-5,08	Plug, nominal current: 10 A, rated voltage: 500 V, pitch: 5.08 mm, number of positions: 12, connection method: Insulation displacement connection QUICKON
1883815	QC 1/13-ST-5,08	Plug, nominal current: 10 A, rated voltage: 500 V, pitch: 5.08 mm, number of positions: 13, connection method: Insulation displacement connection QUICKON
1883857	QC 1/13-STF-5,08	Plug, nominal current: 10 A, rated voltage: 500 V, pitch: 5.08 mm, number of positions: 13, connection method: Insulation displacement connection QUICKON
1883860	QC 1/14-STF-5,08	Plug, nominal current: 10 A, rated voltage: 500 V, pitch: 5.08 mm, number of positions: 14, connection method: Insulation displacement connection QUICKON
1883886	QC 1/15-STF-5,08	Plug, nominal current: 10 A, rated voltage: 500 V, pitch: 5.08 mm, number of positions: 15, connection method: Insulation displacement connection QUICKON
1883899	QC 1/16-STF-5,08	Plug, nominal current: 10 A, rated voltage: 500 V, pitch: 5.08 mm, number of positions: 16, connection method: Insulation displacement connection QUICKON
1826319	SMSTB 2,5/ 5-ST-5,08	Plug, nominal current: 12 A, rated voltage: 250 V, pitch: 5,08 mm, no. of positions: 5, type of connection: Screw connection
1826322	SMSTB 2,5/ 6-ST-5,08	Plug component, nominal current: 12 A, rated voltage: 250 V, pitch: 5.08 mm, no. of positions: 6, type of connection: Screw connection
1826335	SMSTB 2,5/ 7-ST-5,08	Plug component, nominal current: 12 A, rated voltage: 250 V, pitch: 5.08 mm, no. of positions: 7, type of connection: Screw connection
1826416	SMSTB 2,5/15-ST-5,08	Plug component, nominal current: 12 A, rated voltage: 250 V, pitch: 5.08 mm, no. of positions: 15, type of connection: Screw connection
1850628	SMSTB 2,5/23-ST-5,08	Plug component, nominal current: 12 A, rated voltage: 250 V, pitch: 5.08 mm, no. of positions: 23, type of connection: Screw connection

Drawings

Dimensioned drawing



Address

PHOENIX CONTACT GmbH & Co. KG
Flachsmarktstr. 8
32825 Blomberg, Germany
Phone +49 5235 3 00
Fax +49 5235 3 41200
<http://www.phoenixcontact.de>



© 2008 Phoenix Contact
Technical modifications reserved;